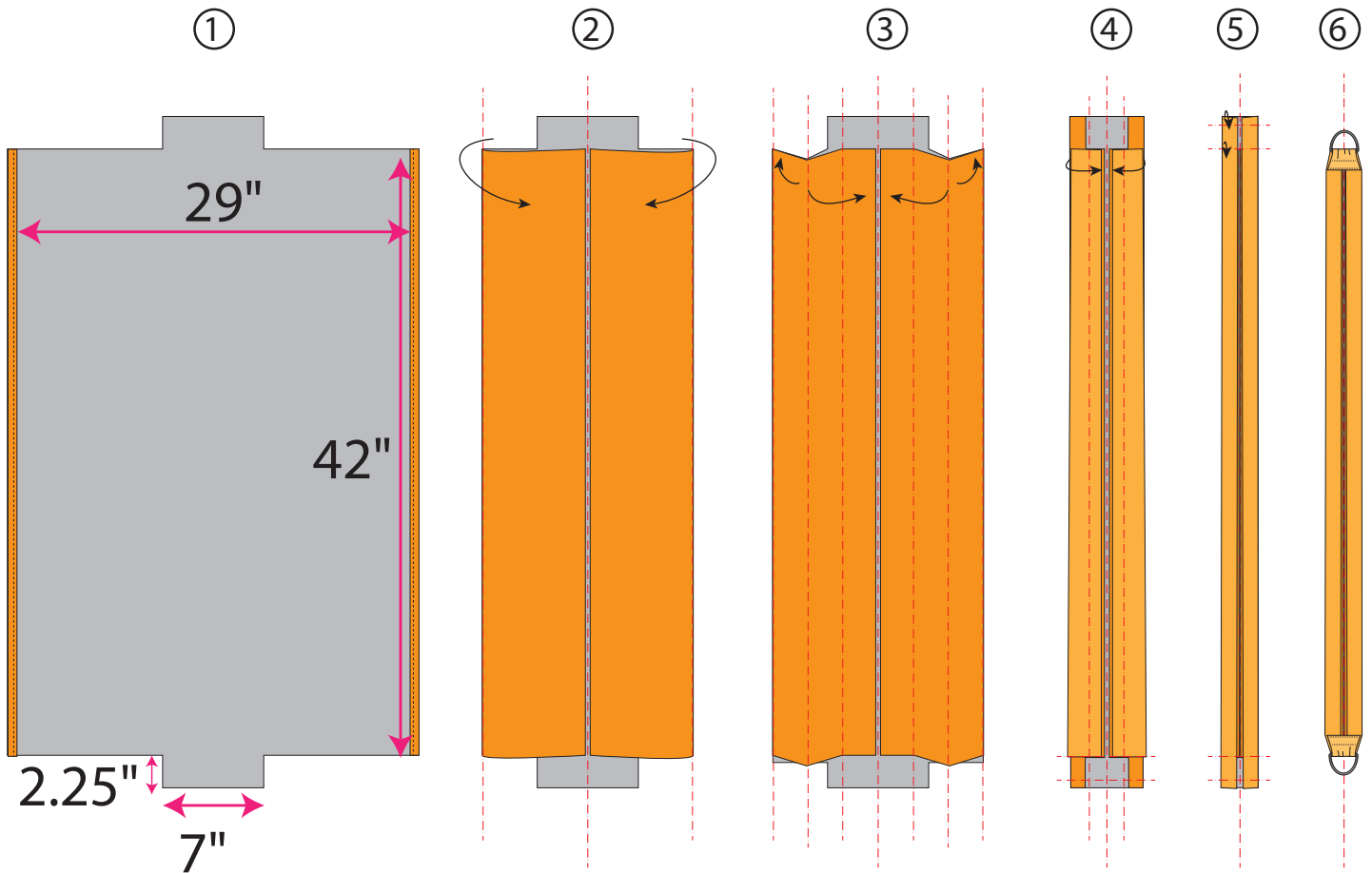


# Baby sling (newborn size):



1. Hem vertical edges (folding twice)
2. Fold hemmed edges in half, towards center.
3. Fold each half into thirds.
4. Fold each side in half towards center again.

Now you have the final width (approx 2").

5. Fold over the top and bottom ends 1/2" to hide raw edge.
6. Insert the d-ring and fold each end over 2".

Sew down the fold with two lines of stitching (1/2" apart) for extra strength.

